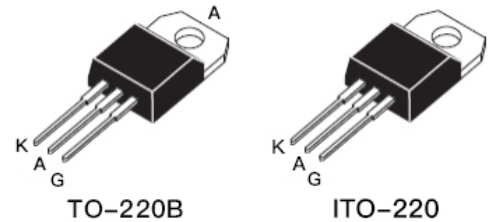


Description

High sensitive triggering levels, the LC8 Series SCRs is suitable for all applications, where the available gate current is limited.

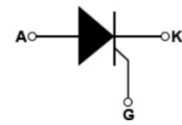
Features

- On-state RMS current to 8A
- Max. blocking voltage = V_{DRM} , V_{RRM} = 600V/800V



Applications

- Motor soft starter
- Off board automotive battery charger.
- Solenoid drivers
- AC DC voltage controlled rectifier
- Solid state relay



Absolute Maximum Ratings

Rating		Symbol	Value
Peak repetitive off-state voltage (50Hz to 60Hz; Gate open) (Note 1)		V_{DRM} V_{RRM}	600V/800V
On-state RMS current (180° sine wave)		$I_{T(RMS)}$	8A
Non repetitive surge peak on-state current (full cycle, $T_{initial} = 25^{\circ}C$)	$F=50Hz, t=10ms$	I_{TSM}	120 A
I^2t Value for fusing	$t_p=10ms$	I^2t	72 A ² s
Non repetitive surge peak off-state voltage	$t_p=10ms, T_J=25^{\circ}C$	V_{DSM}/V_{RSM}	$V_{DRM}/V_{RRM}+100V$
Peak gate current	$t_p=20\mu s, T_J=125^{\circ}C$	I_{GM}	2A
Average gate power dissipation	$T_J=125^{\circ}C$	$P_{G(AV)}$	0.5W
Storage junction temperature range		T_{STG}	-40°C to +150°C
Operating junction temperature range		T_J	-40°C to +125°C

Note:

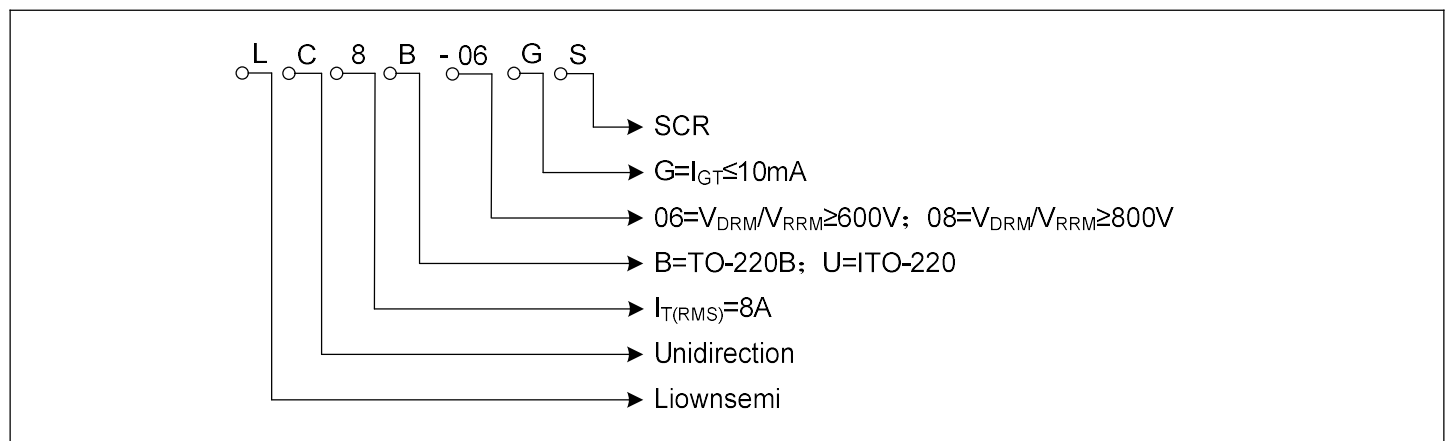
1. V_{DRM} and V_{RRM} for all types can be applied on a continuous basis.

Blocking voltages shall not be tested with a constant current source such that the voltage ratings of the devices are exceeded.

Electrical Characteristics ($T_J=25^{\circ}\text{C}$, unless otherwise specified)

Parameter	Symbol	Value
$V_D=12\text{V}$, $R_L=33\Omega$	$I_{GT \text{ Max.}}$	10mA
	$V_{GT \text{ Max.}}$	1.3V
$V_D=V_{DRM}$, $R_L=3.3\text{k}\Omega$, $T_J=125^{\circ}\text{C}$	$V_{GD \text{ Min.}}$	0.25V
$I_T=100\text{mA}$, gate open	$I_H \text{ Max.}$	30mA
$I_G=1.2I_{GT}$	$I_L \text{ Max.}$	40mA
$V_D=67\%V_{DRM}$ gate open, $T_J=125^{\circ}\text{C}$	$dv/dt \text{ Min.}$	200V/ μs
$I_{TM}=8\text{A}$, $t_p=380\mu\text{s}$, $T_J=25^{\circ}\text{C}$	$V_{TM \text{ Max.}}$	1.7V
$V_{DRM}=V_{RRM}$, $T_J=25^{\circ}\text{C}$	$I_{DRM \text{ Max.}}$	10 μA
$V_{DRM}=V_{RRM}$, $T_J=125^{\circ}\text{C}$	$I_{RRM \text{ Max.}}$	1mA

Part Number Code



Ordering Information

Part Number	Marking	Package
LC8B-06GS	LC8B-06GS	TO-220B
LC8B-08GS	LC8B-08GS	TO-220B
LC8U-06GS	LC8U-06GS	ITO-220
LC8U-08GS	LC8U-08GS	ITO-220

Dimensions

TO-220B	Symbol	Millimeters	
		Min.	Max.
	A	9.80	10.40
	B	2.65	3.10
	C	14.80	16.10
	D	0.70	0.92
	D1	1.18	1.42
	E	2.40	2.70
	L	2.80	4.20
	L1	13.05	13.60
	H	5.85	6.82
	K	2.35	2.75
	T	4.38	4.61
	T1	1.15	1.36
	T2	0.35	0.65
	ΦR	3.75	3.95

ITO-220	Symbol	Millimeters	
		Min.	Max.
	A	9.80	10.40
	B	2.65	3.10
	C	14.80	16.10
	D	0.70	0.92
	D1	1.18	1.42
	E	2.40	2.70
	L	2.80	4.20
	L1	13.05	13.60
	H	5.85	6.82
	K	2.35	2.75
	T	4.38	4.61
	T1	1.15	1.36
	T2	0.35	0.65
	ΦR	3.75	3.95

Important Notice and Disclaimer

LLOWN has used reasonable care in preparing the information included in this document, but LLOWN does not warrant that such information is error free. LLOWN assumes no liability whatsoever for any damages incurred by you resulting from errors in or omissions from the information included herein.

LLOWN no warranty, representation or guarantee regarding the documents, circuits and products specification, LLOWN reservation rights to make changes for any documents, products, circuits and specifications at any time without notice.

Purchasers are solely responsible for the choice, selection and use of the LLOWN products and services described herein, and LLOWN assumes no liability whatsoever relating to the choice, selection or use of the products and services described herein.

No license, express or implied, by implication or otherwise under any intellectual property rights of LLOWN.

Resale of LLOWN products with provisions different from the statements and/or technical features set forth in this document shall immediately void any warranty granted by LLOWN for the LLOWN product or service described herein and shall not create or extend in any manner whatsoever, any liability of LLOWN.